

**QUANTUM THERMOSTAT**

Model: SQ610RF/SQ610BRF



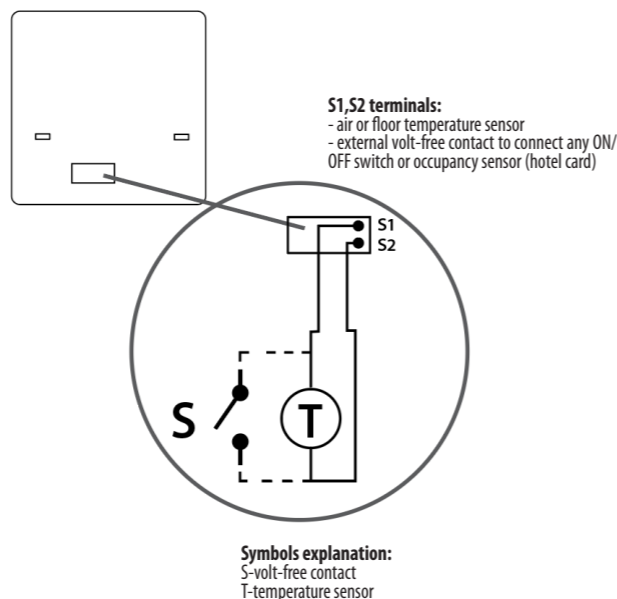
MULTILINGUAL MANUAL



Installation Manual



**Wiring diagram (S1, S2 Input)**



**First power up sequence, language choice and pairing**

1. Remove the protective foil, then power up the thermostat by pressing the power button for 3 seconds.

2. ...display will show all icons...

3. ...then the thermostat will display the software version.

4. Now, choose your language by pressing the down or up buttons. Confirm by pressing the tick button.

5. **YES - ONLINE, OFFLINE MODE.** You can configure your thermostat with universal gateway or CO10RF coordinator. That is, add it to the Salus Smart Home system.

7. Press "Scan for Equipment".

8. The app has started scanning...

9. UGE600/UG600 will start flashing red. UG800 ZigBee LED will show solid orange.

10. Thermostat is now connected and will show the two icons on the bottom right corner of the screen. Go to the Salus Premium Lite app to configure it.

11. Select your thermostat and press on "Connect equipment".

12. Name your thermostat and select "Next".

**Introduction**

The SQ610RF Quantum is a ZigBee temperature controller for wireless control of iT600 series devices, such as the KL08RF wiring centre, mini TRV head, RX10RF/RX30RF boiler control module. In order to control SQ610RF over the Internet or via the SALUS Premium Lite app (ONLINE mode), it must be installed together with the UGE600/UG600 or UG800 Internet gateway (sold separately). From the application level, it is possible to pair SQ610 with other system elements, e.g. Smart Plug SPE600, Smart Relay SR600 or window/door sensor SW600. SQ610 can be used locally without an Internet connection (OFFLINE mode), however, its communication with other devices must be done using the CO10RF coordinator (sold separately).

**Product Compliance**

This product complies with the essential requirements and other relevant provisions of Directives GPSR 2023/988/EU, RED 2025/138/EU and RoHS 2017/2102/EU. The full text of the EU Declaration of Conformity is available at the following internet address: [www.saluslegal.com](http://www.saluslegal.com).

**Safety Information**

Use in accordance with the regulations. Indoor use only. Keep your device completely dry. Installation must be carried out by a qualified person in accordance to national and EU regulations.

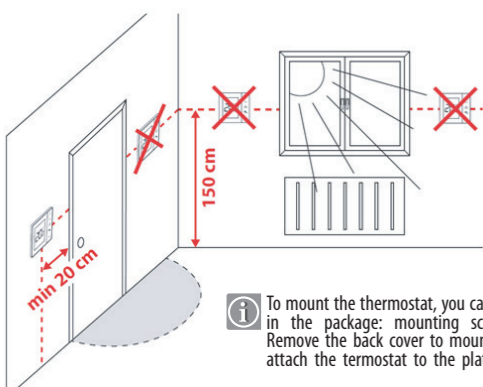
**Before you start**

The new SQ610RF/SQ610BRF Quantum thermostat is partially charged, however, we recommend to fully charge the battery before using it. Connect the charger to the micro-USB port, which is at the bottom of the thermostat.



Charging to full battery level may take up to 24h maximum.

**Mounting the thermostat**

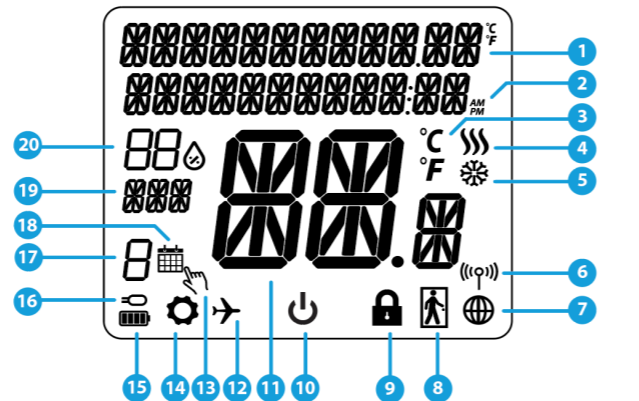


**Please note**

The ideal position to mount the thermostat is about 1,5m above floor level, far from heating or cooling sources. Make sure that the thermostat is not exposed to sunlight or any extreme conditions like, for example, draft.

Because of fire and explosion risk, do not use the thermostat in atmosphere of explosive gases and flammable liquids (e.g., coal dust). If there are any listed dangers, you have to use additional protection measures - anti-dust and explosive gases (tight cover) or prevent their formation. Furthermore, the thermostat can't be used in condensation of water vapor conditions or directly exposed to water.

**LCD Icon Description**



1. Menu/Settings description + Clock
2. AM/PM
3. Temperature unit
4. Heating indicator (icon is animating when there is heating demand)
5. Cooling indicator (icon is animating when there is cooling demand)
6. RF Connection indicator
7. Internet connection indicator
8. Occupancy sensor (hotel card)
9. Key lock function
10. Standby mode icon
11. Current Temperature / Setpoint Temperature
12. Holiday mode
13. Temporary override mode
14. Settings icon
15. Battery status indicator
16. External / Floor temp sensor indicator
17. Schedule mode icon
18. Day indicator / SET information
19. Humidity Display
20. Current Humidity value

**Button description**

| Button | Function  |
|--------|---|
|        | 1) Menu button / Return button.<br>2) In the MAIN SCREEN: Press and hold for 3 sec to change the thermostat operating mode (Schedule mode / Permanent mode / Temporary override mode).<br>3) In the MAIN SCREEN: Press and hold for 3 sec to go back without saving the changes.<br>4) In the PAIRING SCREEN (in SYSTEM TYPE Menu): Press and hold for 3 sec to see other pairing options.  |
|        | "Down" Button (Decrease parameter value/moving on the menu in 'DOWN' direction)   |
|        | "Up" Button (Increase parameter value/moving on the menu in 'UP' direction)   |
|        | 1) Press and hold for 3 seconds to POWER UP new device<br>2) "OK / Tick" Button (Confirm parameter value / Go to the next menu / Save settings)<br>3) In the MAIN SCREEN: Press and hold for 3 seconds to enter Standby mode<br>4) In the SETTINGS SCREEN: Press and hold for 3 sec to go back to the MAIN SCREEN & SAVE all the changes.<br>5) During PAIRING process - hold button for 3 seconds to POWER OFF or REBOOT the thermostat. |
|        | In the MAIN SCREEN - press and hold these buttons together for 3 seconds to LOCK / UNLOCK the Thermostat keys.  |

**General information about the Salus Premium Lite application**

Thanks to the UGE600/UG600 or UG800 Universal Gateway and the SALUS Premium Lite app, the system allows you to remote control of your heating system in any place you are in the moment by smartphone, tablet or computer with Internet connection. Then you have also access to advanced functions of SQ610RF Quantum thermostat. You can also create OneTouch rules to customize system to your needs.

1. Install the Salus Premium Lite app.
2. Power on the UG800 or UGE600/UG600 gateway and connect it to the router.
3. Power up the gateway until all LEDs become solid green on UG800 or solid blue on UGE600/UG600. Press the main button for 3 seconds to open the ZigBee network.

**Installation in online mode - Pairing with the KL08RF**

1. Select "YES", by pressing the up or down buttons. Confirm by pressing the tick button.
2. Now, the thermostat is looking for signal from the gateway...
3. Go to the SALUS Premium Lite app.
4. Open main menu.
5. Select "Settings".
6. Now select "Setup Equipment".

**Manufacturer:** SALUS Controls plc  
 Units 8-10, Northfield Business Park, Forge Way, Parkgate Rotherham, S60 1SD United Kingdom

**Importer:** Salus Controls European Distribution sp.z o.o., ul. Szamocka 8, piętro 6., 01 748 Warszawa, Poland

UK: [tech@salus-tech.com](mailto:tech@salus-tech.com)  
 DE: [info@salus-controls.de](mailto:info@salus-controls.de)  
 PL: [poland@saluscontrols.com](mailto:poland@saluscontrols.com)  
 FR: [technicalsupport@saluscontrols.fr](mailto:technicalsupport@saluscontrols.fr)  
 RO: [tehnic@saluscontrols.ro](mailto:tehnic@saluscontrols.ro)  
 DK: [Support@salus-controls.dk](mailto:Support@salus-controls.dk)

[www.saluscontrols.com](http://www.saluscontrols.com)

CE UK CA

04/2026

**16** Select the zone which you want to allocate your thermostat. You can pair one thermostat with more than one zone.

**17** Choose "No" if you want to set your own schedule later or "Yes" if default now.

**18** Pin thermostat to the main app screen and complete set up.

**19** UG800 LEDs show solid green. UGE600/UG600 shows solid blue.

**20** Congratulations, you've successfully configured the SQ610RF Quantum thermostat with the KL08RF control box.

**Note:** Once the ZigBee network is open, you can add other compatible products such as SW600, SPE600, SR600, Mini TRV and RX10RF.

**Installation in offline mode - Pairing with the KL08RF**

**1** Select "Yes" by pressing or Press ✓ to confirm.

**2** The thermostat will start looking for the gateway's signal...

**3** Open the ZigBee network. UG800 or UGE600/UG600 or CO10RF

**4** Select system type: UNDERFLOOR. Press ✓ to confirm.

**5** Using the UP and DOWN buttons, select the control box number. Press ✓ to confirm.

**6** Use the UP and DOWN buttons, select the zone number. Press ✓ to confirm.

**7** Close the ZigBee network.

**8** You can pair your thermostat with more than one zone. Select additional zones or finish the pairing process by pressing ✓.

**9** When the thermostat is successfully paired, main screen will be displayed.

**Replace zone**

**1** ZONE OCCUPIED

**2** REPLACE ZONE YES

**Note:** If the user will choose an already occupied zone, then the thermostat will display "ZONE OCCUPIED". The occupied zone can be replaced by another thermostat. It will remove the current thermostat that is assigned to that zone.

**Setting the schedule: in the app (online mode)**

**1** Select the thermostat from the main app menu.

**2** Press on the thermostat's name.

**3** Scroll down and press the pencil button. As you can see, there is a default schedule. You can delete all of the default intervals by pressing the - button.

**4** Choose which days you want the program to schedule:  
 \* 5+2 (5 days same program + 2 days same program - MON-FRI + SAT-SUN)  
 \* Individual, every week (daily)  
 \* All 7 days same program (MON-SUN)

**5** After you select the period, use the "Add interval" option to add your intervals to the schedule.

**6** Then, add the start time and temperature setpoint. Confirm by pressing the "Add" button.

**Note:** You can add as many intervals as you wish by repeating the procedure described from steps 3 to 6. The procedure is the same for all 3 schedule configurations. You can also customise the programs on the thermostat in any way you want.

**7** After you've added all the intervals, press "Save" to save and set your schedule.

**8** ADDITIONALLY: You can duplicate the same schedule for other thermostats. Click on the "Duplicate schedule" option.

**9** Select the thermostat for which you want to duplicate the schedule.

**10** The app will now ask you to duplicate the schedule and save your choice. The selected thermostat will have the same schedule.

**Note:** To delete any interval in the schedule, just use the - button next to the selected interval.

**Setting the schedule: using the thermostat (offline mode)**

**1** Press the ≡ button to enter main menu.

**2** Press ✓ to enter "Schedule Settings".

**Note:** There are 3 possible schedule variants. Use the ✓ or ✗ buttons to select the schedule variant and confirm using ✓.

**3** Separate schedule for WORKING DAYS and separate schedule for WEEKENDS. One schedule for the WHOLE WEEK. Seven separate schedules for SINGLE DAYS.

**Schedule programming example for the WHOLE WEEK:**

**4** MO-SU FROM 06:00

**5** MO-SU FROM 06:00 21.0

**6** Thermostat will move to the next program (next time period). If you made a mistake, you can go back to the previous step using the ≡ button (changes will not be saved). Repeat steps 4 and 5 for the next time periods in the schedule. No time --- on the display means given program is skipped. There are 6 programs/time periods in the schedule. Hold the button for 3 seconds to save and exit schedule editing.

**7** After setting the schedule, the thermostat will be working in schedule mode. The calendar icon will show up on the display.

**Factory reset**

**1** Press the ≡ button to enter main menu.

**2** Go to the Admin Settings.

**3** Choose the "Factory Reset" option.

**4** Select YES and confirm choice by pressing the ✓ button.

**5** Wait for a few moments for the factory reset procedure to finish. Now, you can remove the thermostat from the app.

**OneTouch rules (add/edit)**

OneTouch is a function that distinguishes SALUS Smart Home system in terms of functionality. OneTouch rules are pre-configured set of actions defined in the interface for ease of use. You can switch it on or off anytime. OneTouch informs the thermostat or other device how it has to work according to pre-set settings.

There are 3 pre-defined OneTouch rules:

- Party Mode - set thermostat temperature to 21°C for 2 hours
- Comfort Temperature - set the thermostat temperature to 21°C
- Holiday Mode - set the optimal temperature to save energy while you're away from home.

**1** Open the main menu in the app.

**2** Select Equipment.

**3** Select the OneTouch option.


**4** Choose "Party Mode" as one of the built-in OneTouch rules. Click "Add OneTouch" to add it.

**5** Select the thermostats which you want to configure with this rule. Press "Apply" to confirm.

**6** Party Mode has been activated. You can check how it works by pressing the "Run now" button.

**Note:** You can also create your own OneTouch rule. Please refer to the full installation manual for the complete procedure on how to create your own OneTouch rule. Scan the QR code on the right.

**SCAN HERE**



**Technical information**

|                                     |   |
|-------------------------------------|---|
| Power Supply                        | Li-Ion Rechargeable Battery                                   |
| Charging time                       | 24 Hrs after 1 to 2 years of continuous use                   |
| UK Boiler Plus Compatibility        | Yes   |
| Operating temperature               | 0°C-45°C  |
| Storage temperature                 | -20 to +60°C  |
| Safety approval                     | Class III   |
| Control via app                     | Salus Premium Lite App  |
| Dual control                        | Heating and cooling   |
| Alerts and notifications            | Email   |
| Administrator function              | The thermostat can be locked using the Salus Premium Lite app |
| Number of devices supported         | 16  |
| Communication protocol              | Wi-Fi 2.4GHz via ZigBee                                       |
| Display type                        | LCD display   |
| Multilanguage support               | Yes   |
| Protocol                            | Heating and cooling algorithms, including TPI                 |
| Pairing                             | The thermostat and the receiver come prepared from factory.   |
| Dimensions (Width x Height x Depth) | 86 x 86 x 11 mm   |